



# EDINBURG CISD

## PURCHASING DEPARTMENT

411 N. 8<sup>th</sup> Ave., Edinburg, TX 78541  
(956) 289-2311, (956) 383-7687

DOMINGA "MINGA" VELA, President  
CARMEN GONZÁLEZ, Vice President  
OSCAR SALINAS, Secretary  
LUIS ALAMIA, Member  
MIGUEL "MIKE" FARIAS, Member  
LETICIA "LETTY" GARCIA, Member  
XAVIER SALINAS, Member

*Dr. Mario H. Salinas, Superintendent*

### ADDENDUM 3

CSP 22-81

## ECONOMEDES HIGH SCHOOL HEATING & AIR CONDITION (HVAC) IMPROVEMENTS FUNDED THROUGH THE ELEMENTARY & SECONDARY SCHOOLS EMERGENCY RELIEF (ESSER) FUNDS

May 20, 2022

### I. INSTRUCTIONS:

- A. The following update to the specification shall be made insofar as the specifications, this addendum shall govern.
- B. It is imperative that this addendum be inserted INTO set of specifications. Acknowledge receipt of this addendum by inserting and including as part of the RFQ specifications.

### II. SEE ADDENDUM BELOW:

**PLEASE SEE ATTACHED**

Respectfully Submitted,

Amaro Tijerina  
Director of Purchasing

\_\_\_\_\_  
(Signature of authorized officer)                      Date

\_\_\_\_\_  
Company Name

#### Nondiscrimination Statement

It is the policy of Edinburg CISD not to discriminate on the basis of gender, age, handicap, religion, race, color, or national origin in its educational programs.

Es poliza del Distrito Escolar de Edinburg el no discriminar por razones con base en genero, edad, religion, raza, color origen nacional, ni discapacidad dentro de sus programas educacionales.

### ADDENDUM 3

**TO:** Prospective Bidders

**DATE:** May 20, 2022

**FROM:** Gabriel Hinojosa, PE, LEED AP  
Sigma HN Engineers, PLLC  
701 S 15th St  
McAllen, TX 78501

**PROJECT:** Edinburg CISD ESSER HVAC Improvements  
CSP 22-81 Economedes High School  
CPS 22-82 Longoria Middle School  
CSP 22-83 Esparza Elementary  
CSP 22-84 Escandon Elementary

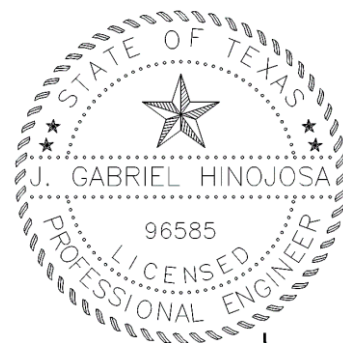
---

This Addendum forms a part of the Contract Documents and modifies the Bidding Documents dated May 23, 2022, with amendments and questions from RFI's noted below.

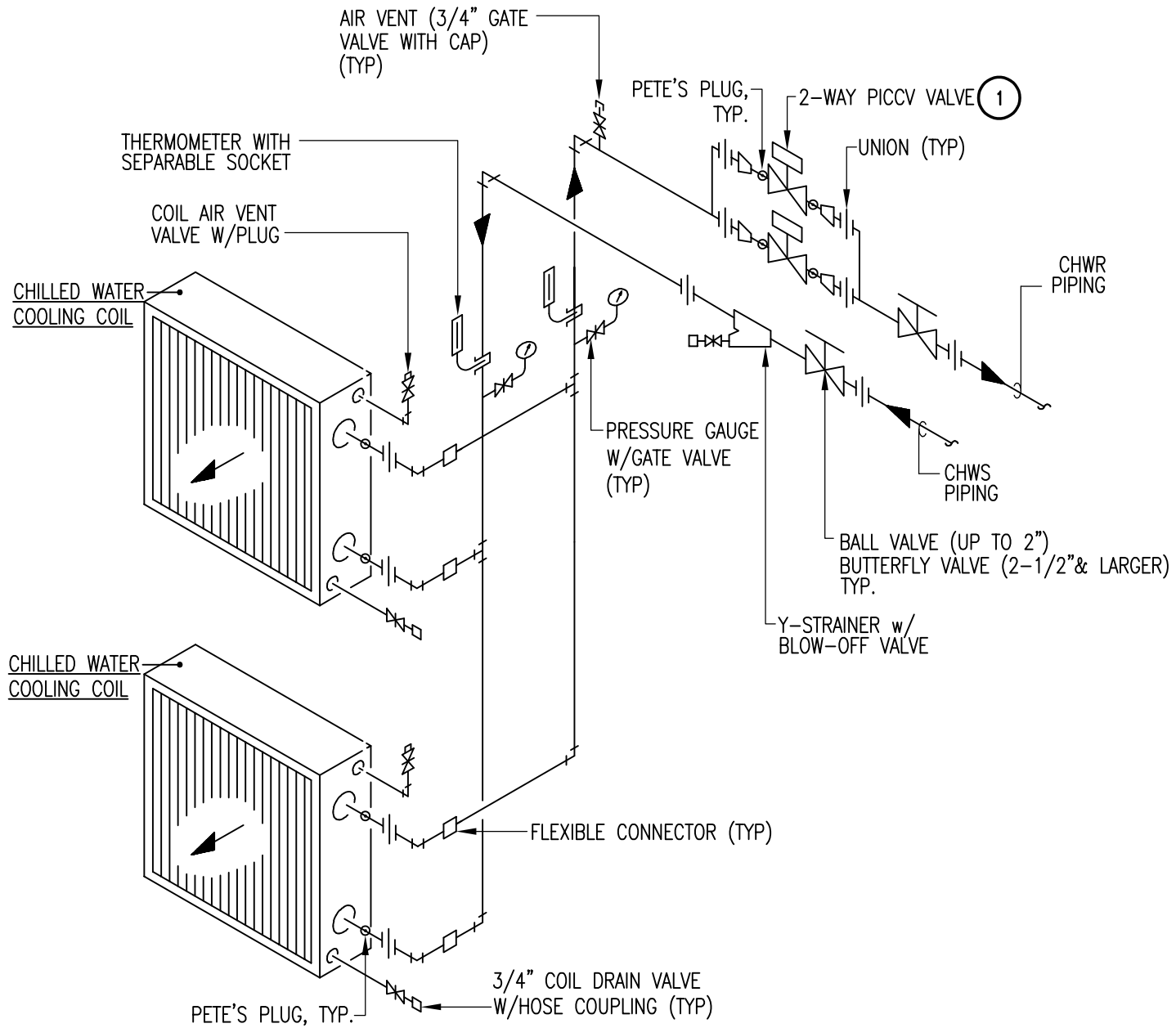
#### **CSP 22-81: J. Economedes High School**

1. *VAC asked: Please confirm all coil connections are single coil connections per the coil piping detail on M-2.0 #11.*

The following units have stacked coils: AHU-3, 5, 6, 7, 8, and 14.  
Extend piping as shown on attached detail.



*J. Gabriel Hinojosa*  
05-20-2022



# TYPICAL AIR HANDLING UNIT

## COIL PIPING ①

① INSTALL PARALLEL PICCV VALVE IF REQUIRED.

18

SCALE: N.T.S.

2-WAY PICCV VALVE